

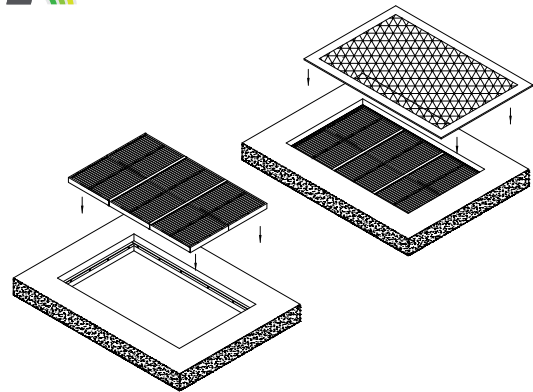
Installation Instructions

IFD44 with no casing penetrating a concrete floor slab

1. Assemble damper modules by applying Kilargo Intumescent Mastic to mating channel. Align and bring units together so that they interlock and mechanically fix together with steel self drilling screws or steel pop rivets at 150mm centres.
2. Position & fasten supporting angles to top face of module using steel screws as detailed in the System Drawing.
3. Position the damper module in the aperture and mechanically fix the angle brackets to the slab using masonry anchors. Fire stop any gaps between the damper and slab with Kilargo Intumescent Mastic (supplied separately). Ensure fill depth corresponds with those detailed in the System Drawing. Note: A maximum perimeter clearance of 25mm applies.
4. If connecting ductwork to slab ensure that an appropriate AS1682.2 compliant breakaway joint method is used.
5. If ductwork is not connected; To prevent injury a load bearing grate is required (by others) in situations where installation is exposed or damper may be accessed by foot traffic.
6. Ensure convenient access is provided for visual inspection and cleaning as necessary.
7. Ensure product and certification labels are in a prominent position for easy identification during subsequent maintenance inspections.

Notes

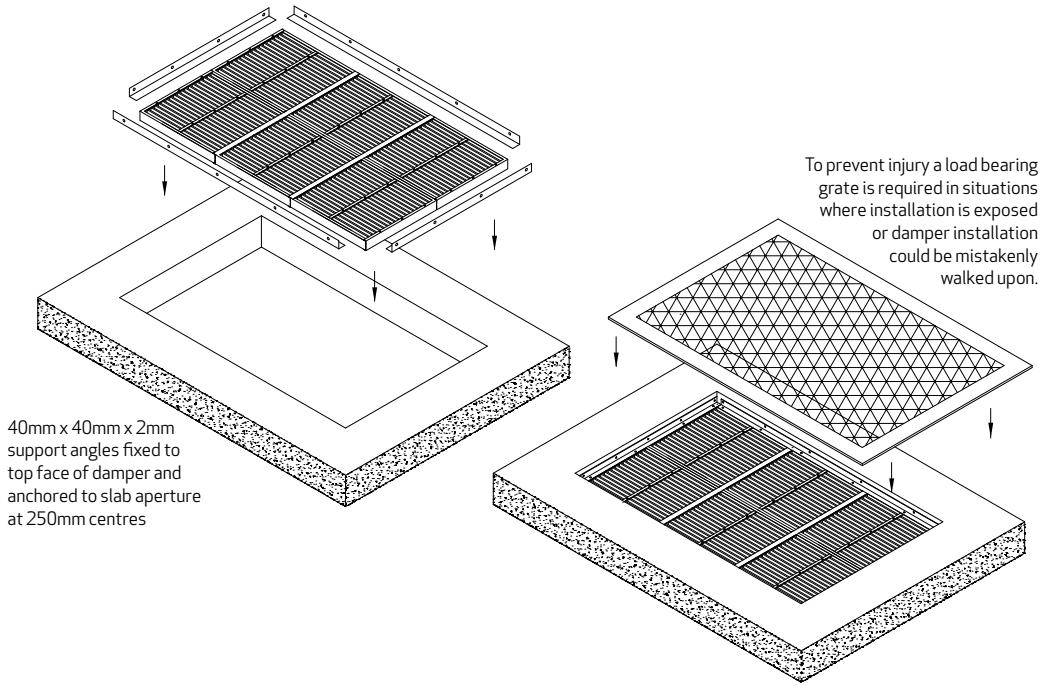
1. Product must be fitted in accordance with this detail, including the use of Kilargo Intumescent Mastic to ensure compliance with Kilargo Fire Test Approval detailed.
2. Retaining angles, fixing screws masonry anchors and load bearing grate are to be supplied by others.



Building Element	Concrete Slab
Application	No casing in penetration
Maximum Size	Up to 1200mm x >10m or >10m x 1200mm
FRL	-/120/-
Test Reference No.	CSIRO FC02643, FC01963

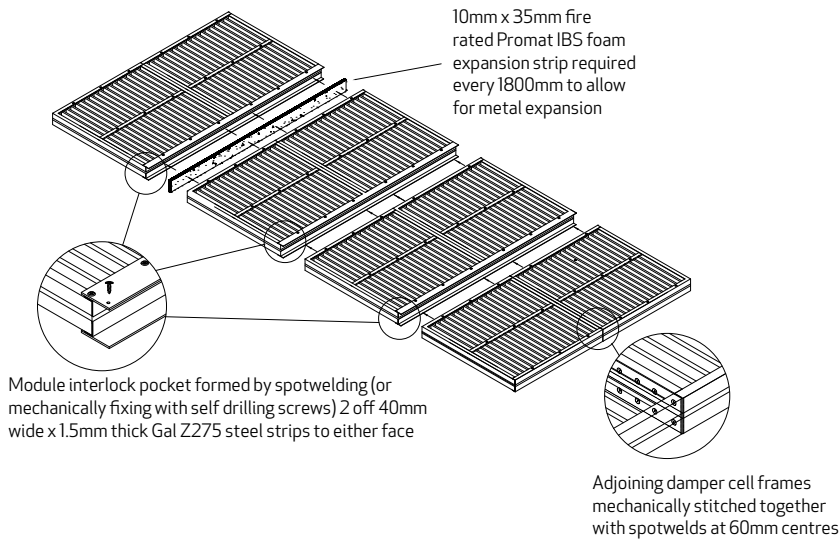
System No. **FL1 (a)**

See also Modular Configuration drawing on system FL1 (b)



40mm x 40mm x 2mm support angles fixed to top face of damper and anchored to slab aperture at 250mm centres

To prevent injury a load bearing grate is required in situations where installation is exposed or damper installation could be mistakenly walked upon.



10mm x 35mm fire rated Promat IBS foam expansion strip required every 1800mm to allow for metal expansion

Module interlock pocket formed by spotwelding (or mechanically fixing with self drilling screws) 2 off 40mm wide x 1.5mm thick Gal Z275 steel strips to either face

Adjoining damper cell frames mechanically stitched together with spotwelds at 60mm centres



Building Element	Concrete Slab
Application	No casing in penetration
Maximum Size	Up to 1200mm x >10m or >10m x 1200mm
FRL	-/120/-
Test Reference No.	CSIRO FCO2643, FCO1963

System No. **FL1 (b)**

To be read in conjunction with system FL1 (a)