

i Step-by-step installation instructions available on page 2 of this datasheet.

Drawing Legend

NO.	ITEM DESCRIPTION
1	Kilargo IFD-LL Intumescent Fire Damper Damper fitted in steel sleeve, with 4 self-drilling screws as tested and sealed at the perimeter with item 3.
2	Damper Casing 0.6mm or greater mild steel casing. The aperture shall be a minimum of 10mm and maximum 25mm, filled to the full depth of plasterboard wall lining with sealant (item 3).
3	Kilargo Intumescent Mastic Applied to the perimeter of Kilargo IFD-LL damper and the damper casing (both sides). Applied to the aperture gap between the damper casing and the wall, to the full depth of plasterboard or at least 30mm depth, controlled by a 16mm IBS rod.
4	Steel Angle 0.7mm (min) 40-mm x 40-mm x 25-mm galvanised steel angle steel angles fixed to damper casing with 8g x 65-mm long.
5	Rockwool Strip 13 mm Rockwool strip minimum density 70 kg/m ³ as tested in FSV 1968.
6	Mesh Guard 25 x 25mm mesh fixed with M6 Penny Washer & 8g x 65 laminating screws.
7	Concrete and Masonry Walls For 60, 90 and 120 min. applications the concrete wall shall be min. 80mm, 100mm and 120mm and have the required FRL in accordance with AS 3600. For 60, 90 and 120 min. applications the masonry wall shall be min. 90mm, 110mm and 130mm and have the required FRL in accordance with AS 3700.
8	Gaps between damper casing and wall system firestopped with Kilargo Intumescent mastic, maximum gap 25mm.
9	Casing length on either side of wall 150mm maximum.

Building element: Masonry or Concrete
Min 75mm Thick

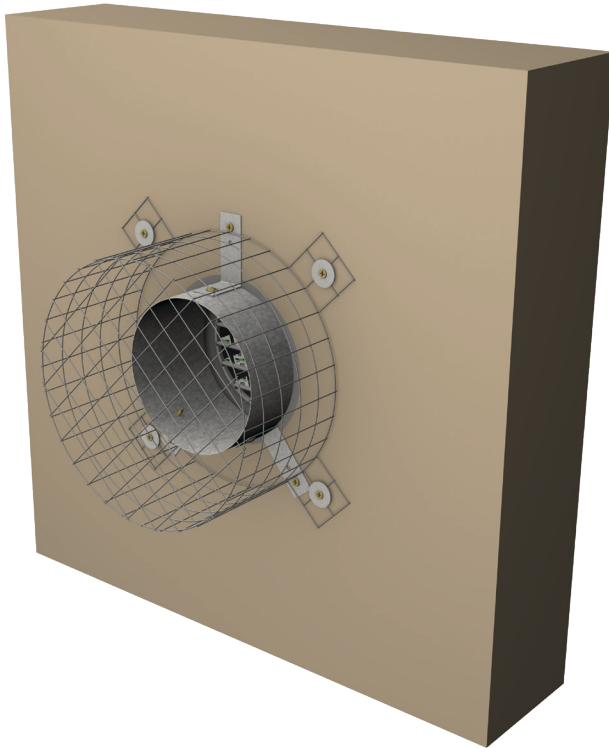
Application: Sleeve Mounted
Single Sided Angle

Maximum Size: 350mm Diameter

FRL -/120/120

Test Reference No. FCO-3344

Product Render: In-situ



Installation Instructions

1. Ensure the wall penetration is sized and formed correctly for the IFD installation as detailed in the System Sheet.
2. Position damper centrally in the penetration as per the System Drawing.
3. Fire-stop any gaps between the casing & building element on both sides, with Kilargo Intumescent Mastic. Ensure fill depth corresponds with those detailed in the System Drawing. Backing material recommended for gaps above 10mm.
4. Fasten supplied steel fixing angles to exterior of sleeve with steel self-drilling screws.
5. Fasten fixing angles to wall using appropriate masonry anchors.
6. Check and re apply any mastic if necessary, ensuring there is a full application as per the System Drawing.
7. Fit Mesh guard on both sides of the wall as shown.

NOTE: Fixings are supplied by others.

System Notes

Kilargo Intumescent Fire Dampers shall be installed in accordance with this detail and in accordance with the requirements of AS1682.2 -Fire & Smoke Dampers. Installation & with note (but not limited to):

1. Ensure convenient access is provided for visual inspection and cleaning as necessary - refer Clause 6.1(d)
2. Ensure damper labels (product certification labels) are in a prominent position for easy identification during subsequent maintenance inspections - refer Clause 7.2 (b)

Building element: Masonry or Concrete
Min 75mm Thick

Application: Sleeve Mounted
Single Sided Angle

Maximum Size: 350mm Diameter

FRL -/120/120

Test Reference No. FCO-3344

System No. WM5i