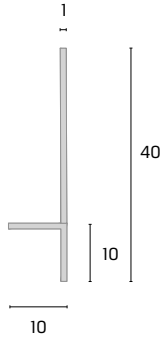


IS7420

Length:

MULTIPLE

Fitting Instructions: Frameless Glass Seal



Description of contents

- PVC Frameless Glass Seal
- Fitting instruction

Tools required for installation

- Tape measure
- Scissors / Side cutter
- Isopropyl alcohol or similar
- Seal cutting tool

Other Kilargo Architectural Seals include:

- Door Perimeter Seals
- Door Bottom Seals
- Automatic Door Bottom Seals
- Threshold Plates
- Brush Seals
- Magnetic Seals

Contact your nearest Kilargo office for further details.

Installation detail: Sweep Seal

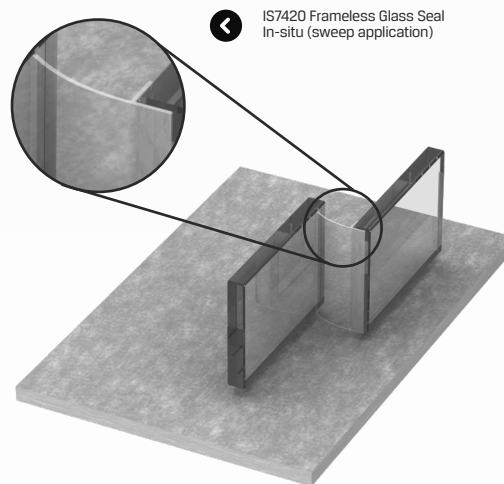
- Step 1** Remove the seal from the packaging and measure the glass panel height to determine the seal length required.
- Step 2** Measure the gap between glass panels to determine the seal width required.
- Step 3** Using scissors / side cutter, trim the seal to the glass panel height.
- Step 4** Using the seal cutting tool trim the seal width to the required size.
- Step 5** Clean the edge of the glass panel using Isopropyl alcohol or similar to ensure it is free from oil, grease or dust. (This is most important).
- Step 6** Progressively pull the backing tape off the seal while running a finger or appropriate blunt tool down the profile whilst ensuring that the adhesive sticks evenly to the surface.

Important

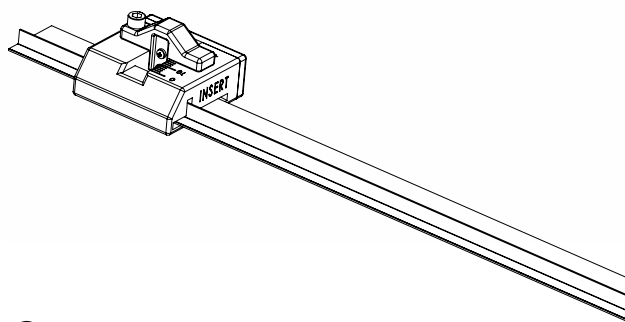
Ensure that the installation of this product does not impede the opening or closing of the door.

Note

Recommendations as to methods for use of materials and construction details are based on the experience and knowledge of Kilargo and are given in good faith as a general guide and service to designers, contractors and manufacturers. Kilargo reserves the right to make alterations or delete any installation detail without prior notice.



IS7420 Frameless Glass Seal
In-situ (sweep application)



Seal cutting tool for sweep seal

Literature Code: IS7420 05/20

T 1300 858 010 F +61 7 3861 9266 E sales@kilargo.com.au www.kilargo.com.au

Kilargo
dormakaba Group