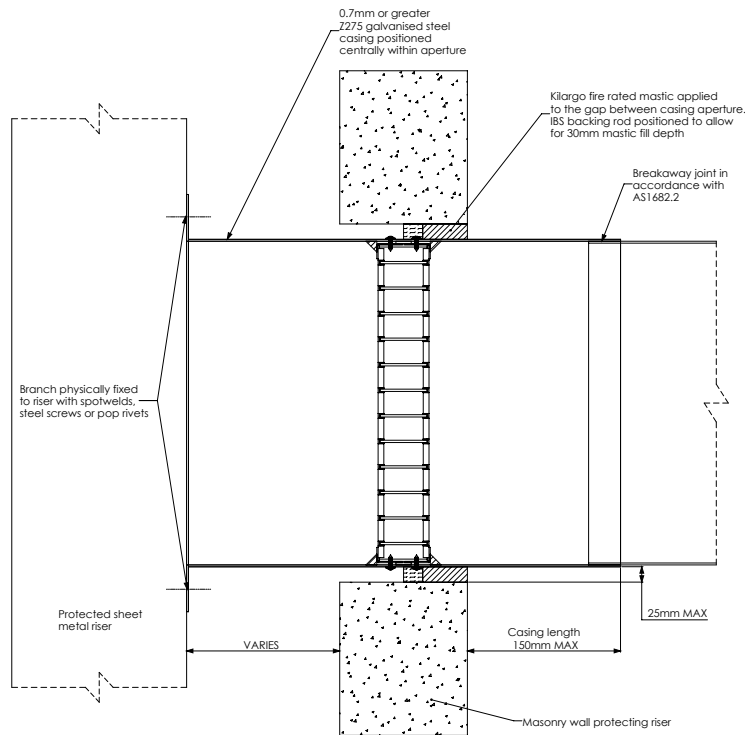


Installation Instructions:

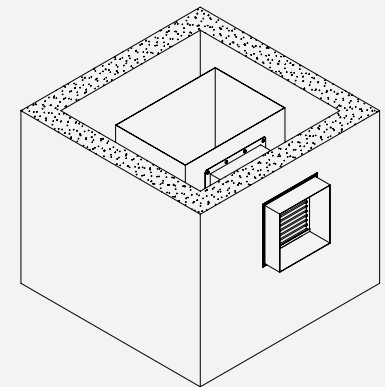
Ducted



- | | |
|---------------|---|
| Step 1 | Position and fix damper into ductwork with steel screws or pop rivets as per system drawing ensuring that the damper will be aligned and within the fire separating shaft wall once the duct is attached to the riser. |
| Step 2 | Seal internal gap between damper and duct with Kilargo Intumescent Mastic as per system drawing. |
| Step 3 | Mechanically connect duct to riser with steel screws or steel pop rivets. |
| Step 4 | Once shaftwall has been constructed, firestop gaps between the duct and shaftwall with Kilargo Intumescent Mastic (supplied separately). Ensure fill depth corresponds with those detailed in the system drawing. Note: A maximum perimeter clearance of 25mm applies. Use IBS backing rod to control fill depth. |
| Step 5 | Ensure product and certification labels are in a prominent position for easy identification during subsequent maintenance inspections. |
| Step 6 | When connecting ductwork to the damper casing, use AS 1682.2 compliant breakaway joint. |

System Notes

- Fixings & IBS backing rod are to be supplied by others.
- Kilargo Intumescent Fire Dampers shall be installed in accordance with this detail, including the use of Kilargo Intumescent Mastic and in accordance with the requirements of AS1682.2.
- Ensure convenient access is provided for visual inspection and cleaning as necessary.
- Fire damper insulation requirements are not required for shaft mounted fire damper as per AS 1668.1:2015 cl 3.2.3.1 (a).
- 2mm Minimum gap allowable between damper and aperture. For gaps between 2-5mm, a fillet of Kilargo Intumescent Mastic shall be applied.



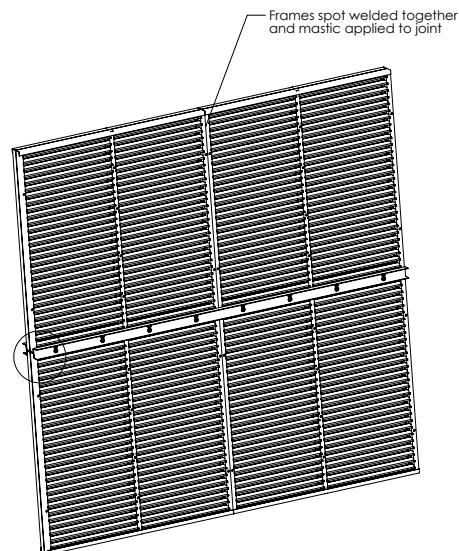
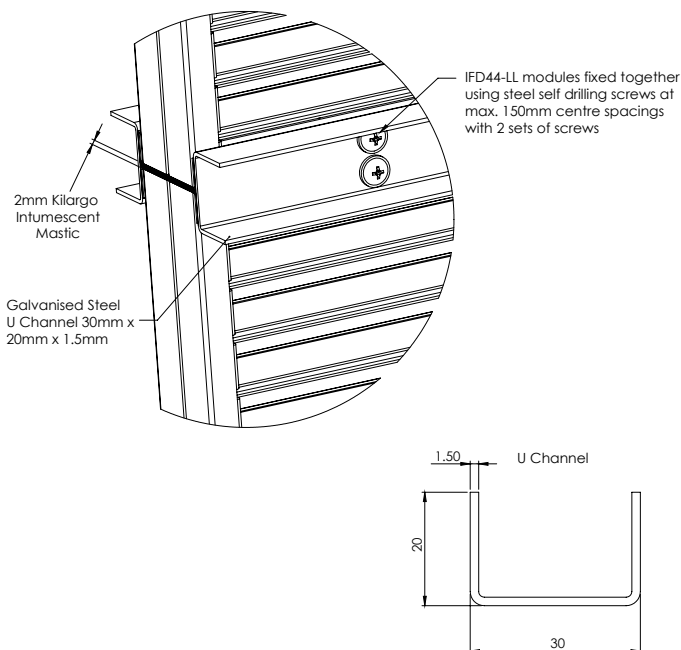
Building element:	Masonry
Application:	Mounted in casing - angle free riser connection
Maximum size:	600 x 600 or 0.36 m2
FRL	-/120/-
Test reference No.	FAS200229

System No. WSW1 (a)

Installation Instructions:

Ducted - Modular

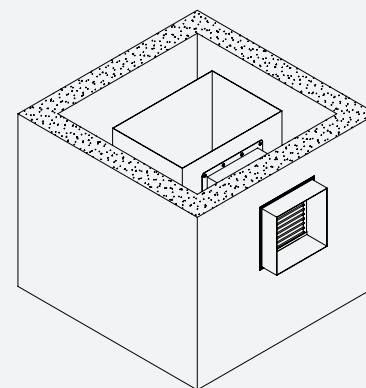
U Channel



- Step 1** Apply Kilargo Intumescent Mastic to the opposing module
- Step 2** Align and bring modules together and mechanically fix together using U channels and steel self-drilling screws or steel pop rivets with 2 sets of screws at 150mm centres as per the modular system drawing on both sides
- Step 3** Fix modular damper to aperture or casing as shown in the appropriate system drawing and installation instructions

System Notes

- Fixings are to be supplied by others.
- Optional flat joining strips supplied at the time of order in lieu of U channel on request for air transfer systems only.



Building element:	Masonry
Application:	Mounted in casing - angle free riser connection
Maximum size:	600 x 600 or 0.36 m2
FRL	-/120/-
Test reference No.	FAS200229

Note: To be read in conjunction with system WSW1 (a)

System No. WSW1 (b)