

IFDO-LL Series

LOW-LOSS INTUMESCENT FIRE DAMPERS

Achieve compliance with the NEW Kilargo IFDO-LL Intumescent Fire Damper

Tested to both Section 11 (300Pa test) and Section 10 to provide both fire integrity and insulation as required by the latest version of AS1668.1.

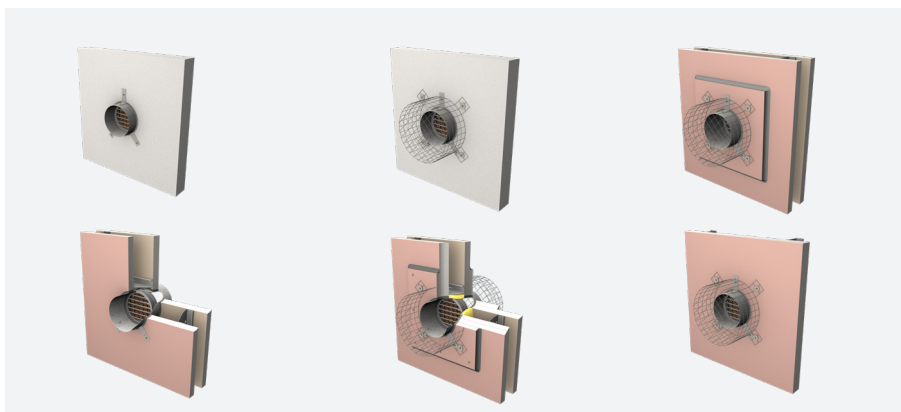
Not only this but installers can achieve full installed compliance to AS1682.2 with ease & simplicity, thanks to the Kilargo IFDO-LL which features the clever *Installers Label* and *Installation instructions* available at the click of a button or swipe of the Smart Phone App.

Unique Features to IFDO-LL

- Tested to AS1530.4 2014 Section 10 & 11
- Insulation up to 120 min
- Fire Integrity up to 120 min
- Peel off Installers Label included for AS1682.2 compliance
- AS 1682.1 2015 compliant
- Wider range of flexible & compliant wall and slab systems
- High Performance Design
- Low-Loss = Reduced Pressure & Lowered Acoustic Transmission
- Potential energy efficiency savings

Great Product Features the HVAC Industry has come to rely on for over two decades of Kilargo Intumescent Fire Dampers

- Compact & lightweight, yet robust and durable design
- Super low maintenance requirements throughout the product lifecycle
- No moving parts and no commissioning required
- Superior quality and reliability, all proudly manufactured in Australia
- Superb no fuss service
- Reliable and consistent technical support from the Intumescent Fire Damper industry leaders

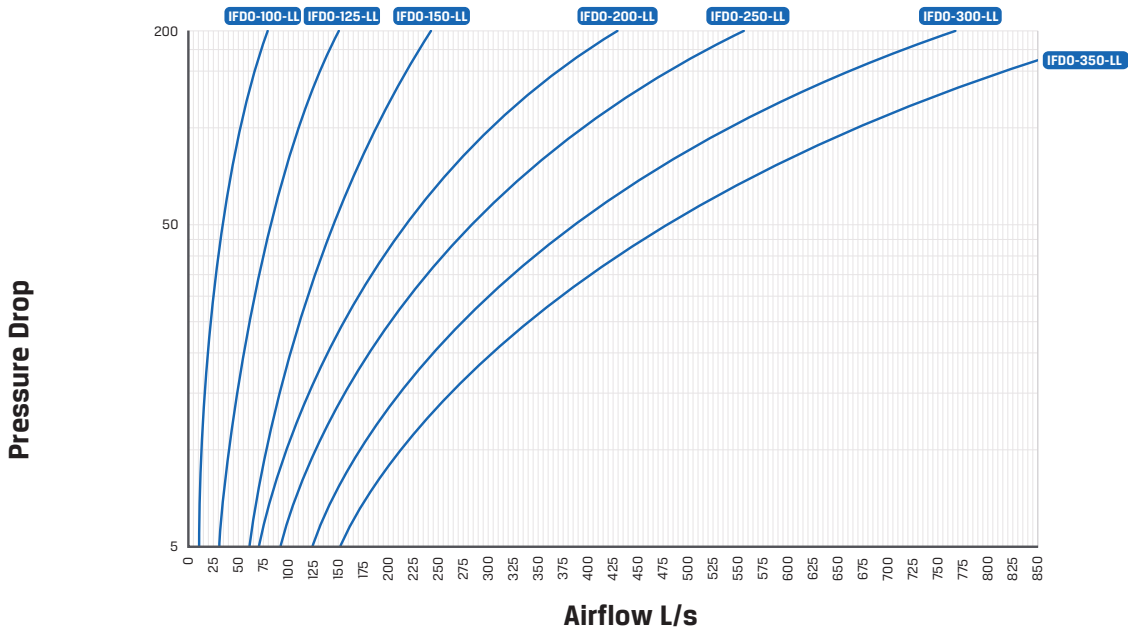


Kilargo Pty Ltd

15 Wentworth Place
Banyo QLD 4014

T: 1300 858 010
info@kilargo.com.au
www.kilargo.com.au

Pressure Data



 Please visit www.kilargo.com.au for downloadable pressure data

Suggested Specifications

All fire dampers shall be Kilargo intumescent IFDO-LL series, with no moving parts and allow for bi-directional airflow.

Intumescent fire dampers shall be tested for Fire Resistance Level (FRL) requirements in accordance with AS 1530.4:2014 Section 11 & Section 10.

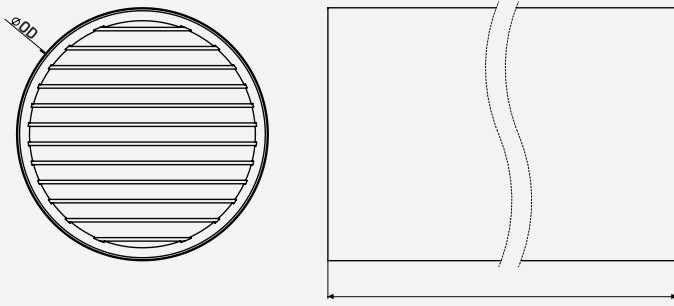
Fire Damper installation shall be strictly in accordance with the relevant requirements of AS1682.2, and Kilargo System Installation details including the use of Kilargo Intumescent Mastic.

Standards & Codes

Relevant standards and codes relating to fire damper performance, fire resistance, installation and maintenance include:

AS 1668.1 2015	Fire & Smoke Control in Buildings
AS 1530.4 2014 Section 10 & 11	Fire test methodology
AS 1682.1 2015	Fire Damper Specification / Design
AS1682.2 2015	Fire Damper Installation
AS 1851:2012	Fire Protection Systems Maintenance

Dimensions



How to Order

Standard 360mm Long

IFDO- ____-LL
e.g. IFDO-150-LL

Extended Sleeve Length

IFDO- ____-LL-____
e.g. IFDO-150-LL-800
(for 800mm long)



For more product information please scan QR code or visit:
www.kilargo.com.au/ourproducts/ifd-LL

Nominal Size	Sleeve OD	Sleeve Length
100	104mm	360mm
125	129mm	360mm
150	154mm	360mm
200	204mm	360mm
250	254mm	360mm
300	304mm	360mm
350	354mm	360mm