

Door Bottom Seals

IS3100si



The IS3100si weather resistant door bottom sealing system can be fitted without removing the door. This seal provides effective containment against cold smoke, sound, dust, light, insects and weather. The aesthetic cover strip ensures there is no visible screw line.

The IS3100si set incorporates an IS3070si door bottom seal plus an IS4100 threshold plate.

Gap size

- Min. 21mm / Max. 24mm

Standard lengths

- 1000mm
- 2250mm
- Also available in: 250mm increments from 1000mm to 5000mm

Standard colours

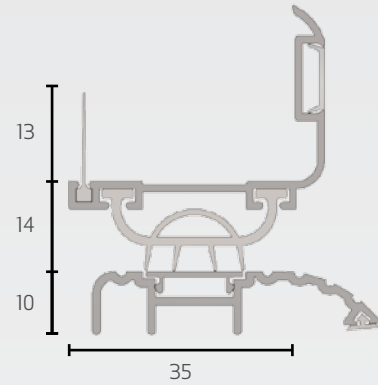
- Silver anodised aluminium carrier with grey silicone gasket and cover strip. (Black silicone gasket and cover strip also available upon request)

Fixing

- Fixing screws are supplied with detailed fitting instructions
- Fixing holes are pre-drilled and slotted to allow the seals to be adjusted and positioned accurately

Approval/s

- Conforms with NCC Specification C3.4 smoke sealing requirements
- Acoustically tested in accordance with AS1191, ISO140.3 and ISO10140-2



Right: IS3100si (Combined IS3070si door bottom seal and IS4100 threshold plate).