

IS1046si

Fitting Instructions: Silicone Rubber Perimeter Seal



Length:

Description of contents

- Silicone rubber seal with self adhesive backing
- Fitting Instructions

Tools required for installation

- Tape Measure
- Knife / Scissors
- Pencil or Marker

Other Kilargo Architectural Seals include:

- Door Perimeter Seals
- Door Bottom Seals
- Automatic Door Bottom Seals
- Threshold Plates
- Brush Seals
- Magnetic Seals

Contact your nearest Kilargo office for further details.

Installation detail: Silicone rubber perimeter seal

It is not necessary to remove the door from its hinges.

- Step 1** Remove the seal from the packaging and measure the top and sides of the door frame (or perimeter of the window) to determine the seal length required.
- Step 2** Clean the frame using Isopropyl alcohol or similar to ensure it is free from oil, grease or dust and if painted, well cured. (This is most important)
- Step 3** Trim the seal to the lengths required.
- Step 4** Progressively remove the protective backing off the self adhesive 30cm to 40cm at a time. Position seal and run a finger down the profile, ensuring that the adhesive sticks evenly to the frame in the exact location where the seal is required.
- Step 5** Close the door and check for a uniform seal around the door.

Note: For effective operation, the IS1046si Bubble Seal requires a min of 2mm–3mm / max 5mm clearance between the door stop / door face and door edge / door frame. The IS1046si seal may be fitted to the door rebate on the hinge and the door stop on the lock stile & the head as illustrated below.

Important

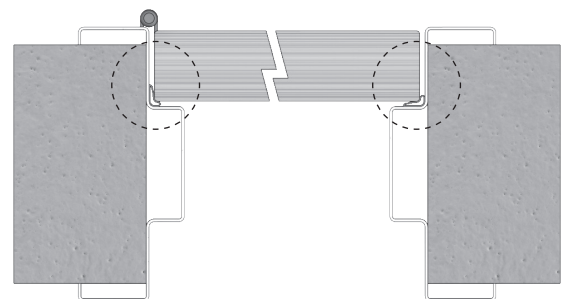
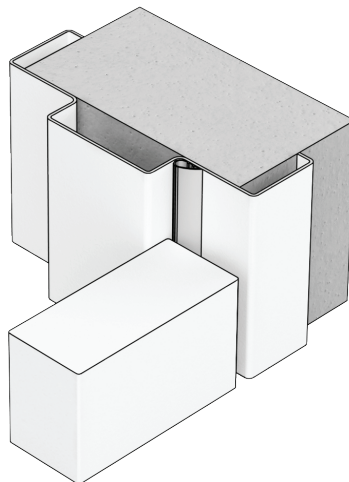
Do not remove and relocate seal. Do not stretch the seal.

Ensure that the installation of this product does not impede the opening or closing of the door. It is recommended to check the adjustment of the door seal periodically to ensure the door assembly to which it is fitted, closes and latches properly. The seal may be cleaned periodically without removing the door leaf from its frame.

Note

It should be noted that in certain applications adhesion may be compromised if frames have been treated with proprietary anti-graffiti paint systems.

Recommendations as to methods for use of materials and construction details are based on the experience and knowledge of Kilargo and are given in good faith as a general guide and service to designers, contractors and manufacturers. Kilargo reserves the right to make alterations or delete any installation detail without prior notice.



Literature Code: IS1046si 05/12