

KG2512BW

Fitting Instructions: Flexible Self Adhesive Intumescent Fire and Smoke Seal



Length:

Description of contents

- Flexible fire and smoke seal with self-adhesive backing
- Fitting instructions

Tools required for installation

- Tape Measure
- Pencil or marker
- Knife / scissors

Other Kilargo Architectural Seals include:

- Door Perimeter Seals
- Door Bottom Seals
- Automatic Door Bottom Seals
- Threshold Plates
- Brush Seals
- Magnetic Seals

Contact your nearest Kilargo office for further details.

Installation detail: Flexible self-adhesive intumescent fire and smoke seal

The KG2512BW Seal requires a minimum of 3mm clearance between the door stop / door face and door edge / door frame. (Refer reverse of this page for door back bevel recommendation)

- Step 1** Remove the seal from the packaging and measure the existing head (top) and jambs (sides) of the door frame to determine the seal length required.
- Step 2** Clean the frame using Isopropyl alcohol or similar to ensure it is free from oil, grease or dust and if painted, well cured. (This is most important!)
- Step 3** Using scissors/knife, trim the seal to the opening height and width of the door reveal.
- Step 4** Starting with the long vertical jambs, peel back the self-adhesive backing tape from both legs by approximately 150mm.
- Step 5** Ensuring the 12mm return of the seal is positioned on the door stop, push the seal into the top corner of the frame-stop as tightly as possible.
- Step 6** Progressively pull the backing tape off the seal while running a finger or appropriate blunt tool down the centre of the profile whilst ensuring that the adhesive sticks evenly to each surface.
- Step 7** Once the seals have been fitted to the jambs. Apply the seal to the head of the frame as per step 6.
- Step 8** At each top corner, notch out a piece of the head seal where both meet, to ensure a continuous smoke seal around the whole perimeter.
- Step 9** If required, cut intumescent part of seal around striker plate to ensure proper closing and latching of the door assembly.

Note

It should be noted that in certain applications adhesion may be compromised if frames have been treated with proprietary anti-graffiti paint systems.

Recommendations as to methods for use of materials and construction details are based on the experience and knowledge of Kilargo and are given in good faith as a general guide and service to designers, contractors and manufacturers.

Kilargo reserves the right to make alterations or delete any installation detail without prior notice.

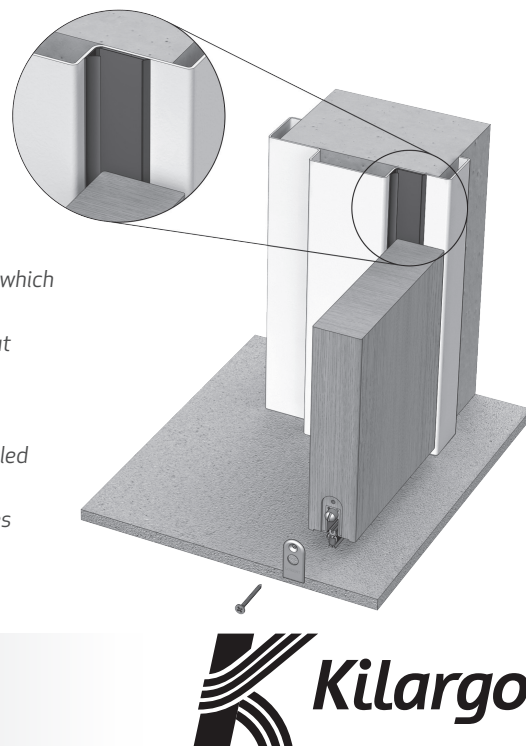
Important

Do not remove and relocate seal.

Do not stretch the seal.

Ensure that the installation of this product does not impede the opening or closing of the door. It is recommended to check the adjustment of the door seal periodically to ensure the door assembly to which it is fitted, closes and latches properly. The seal may be cleaned periodically without removing the door leaf from its frame.

Ensure that the door is back bevelled as detailed on the reverse side of this fitting instruction to provide the required operational clearances

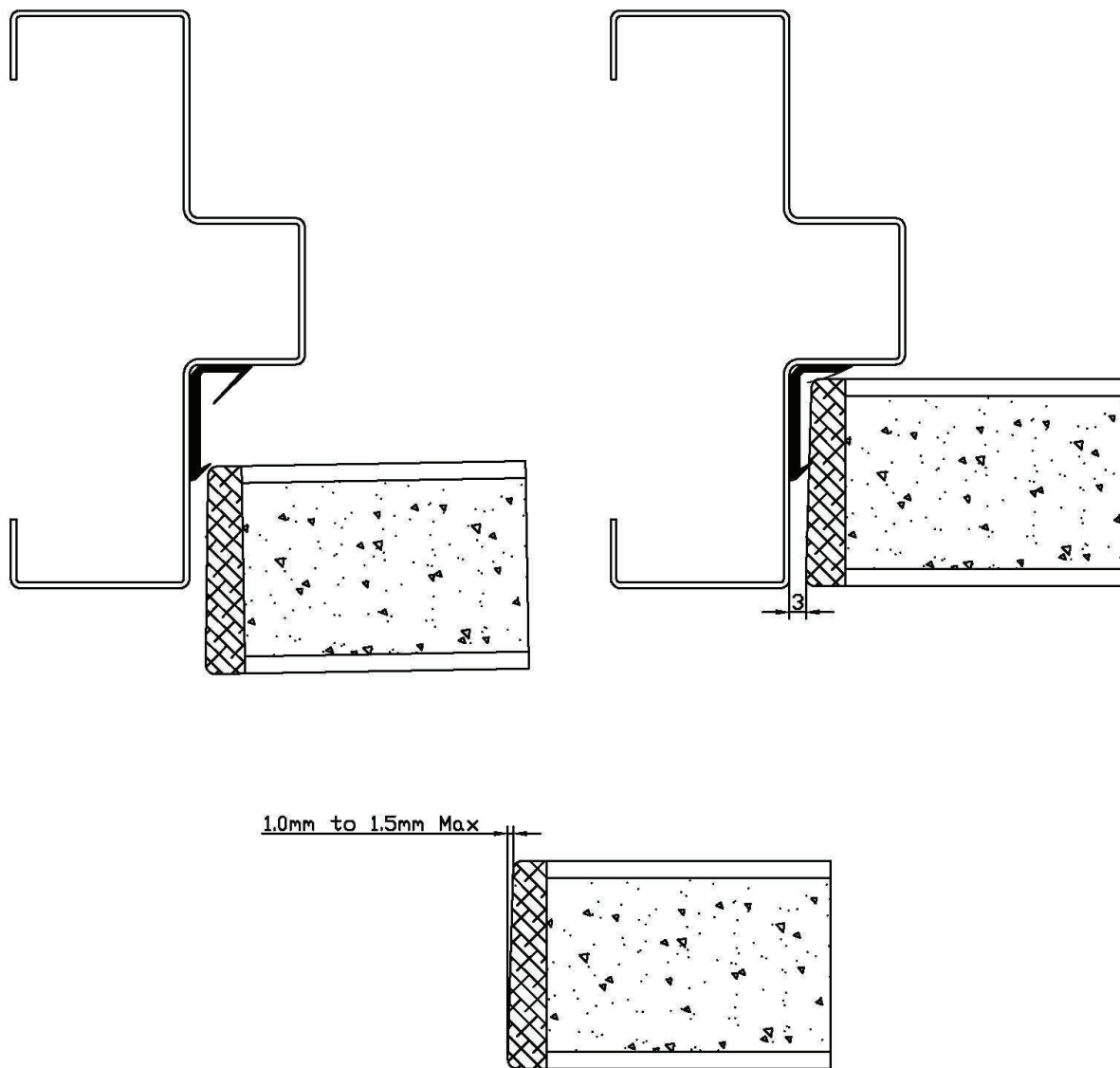


Literature Code: KG2512BW 06/17

15 Wentworth Place, Banyo Qld 4014
T 1300 858 010 F +61 7 3861 9266 E sales@kilargo.com.au www.kilargo.com.au

KG2512BW

Fitting Instructions: Flexible Self Adhesive
Intumescent Fire and Smoke Seal



DETAIL OF DOOR BACK BEVEL

Literature Code: KG2512BW 06/17

15 Wentworth Place, Banyo Qld 4014
T 1300 858 010 F +61 7 3861 9266 E sales@kilargo.com.au www.kilargo.com.au

