

KP4204TF

Fitting Instructions: Fire and Smoke Door Bottom Seal

Integrity

Architectural Door Seals



Length:

Description of contents

- Fire and smoke seal with self-adhesive backing
- Fitting instructions

Tools required for installation

- Tape Measure
- Knife / scissors
- Pencil or marker
- Power / manual screw driver

Other Integrity™ Architectural Seals include:

- Door Perimeter Seals
- Door Bottom Seals
- Automatic Door Bottom Seals
- Threshold Plates
- Brush Seals
- Magnetic Seals

Contact your nearest Kilargo office for further details.

Installation detail: Fire and smoke door bottom seal

It is recommended to remove the door from its hinges for proper installation.

The KP4204TF seal requires a minimum of 12mm to a maximum of 14mm clearance between the bottom of the door and the floor. (It is highly recommended that the seal be incorporated into a door system with a Kilargo 4000 Series Threshold Plate).

- Step 1** Remove the seal from the packaging and measure the existing door width to determine the seal length required.
- Step 2** Clean the underside of the door base to ensure it is free from oil, grease, loose paint, or dust. (This step is most important!)
- Step 3** Using blade/knife, cut the seal to the width of the door to which it is being installed.
- Step 4** Peel back the self-adhesive backing tape from one end of the seal.
- Step 5** Ensuring that the end of the seal is aligned with the edge of the door and that the seal is positioned central to the width of the door, push the exposed backing tape to the door.
- Step 6** Progressively pull the backing tape off the seal while running a finger or appropriate blunt tool down the centre of the profile, whilst ensuring that the adhesive sticks evenly.
- Step 7** It is highly recommended that screws be used to mechanically fix the seal to the base of the door in addition to the self-adhesive tape.
- Step 8** Check the door for correct operation and ensure the seal is making light contact with the floor. (A Kilargo 4000 Series Threshold plate is recommended to be used in conjunction with this seal for optimum performance).

Note

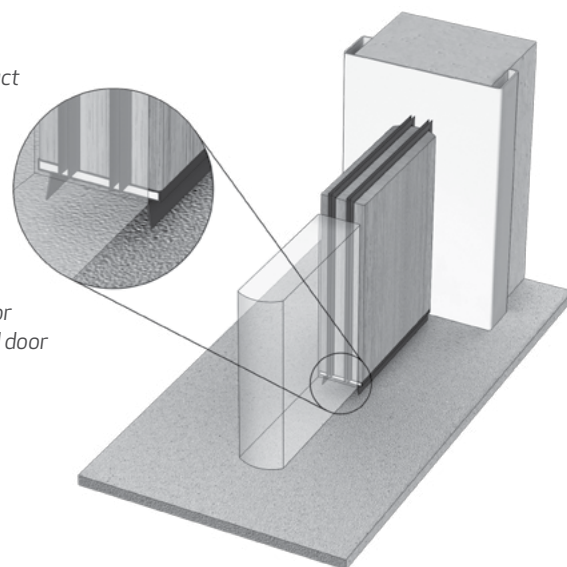
Recommendations as to methods for use of materials and construction details are based on the experience and knowledge of Kilargo and are given in good faith as a general guide and service to designers, contractors and manufacturers.

Kilargo reserves the right to make alterations or delete any installation detail without prior notice.

Important

Do not remove and relocate seal.

Ensure that the installation of this product does not impede the opening or closing of the door. It is recommended to check the adjustment of the door seal periodically to ensure the door assembly to which it is fitted, closes and latches properly. The bottom edge of the door may need to be painted before installation of this seal for compliance to Australian Standards and door manufacturer's warranty.



KP4204TF Seal fixed to base of door.

Literature Code: KP4204TF 09/13

15 Wentworth Place, Banyo Qld 4014
T 1300 858 010 F +61 7 3861 9266 E sales@kilargo.com.au www.kilargo.com.au

 **Kilargo**