

Performance summary of Kilargo IFD-D mounted in E-Core fire doors

Application	Nom. 37mm MINI door	Nom. 47mm MAXI door
Fire Resistance Level (FRL)	-/120/30	-/120/30
Approved size mm	600 x 300mm 450 x 450mm 2 grilles may be installed per leaf	600 x 300mm 450 x 450mm 2 grilles may be installed per leaf

Installation Instructions

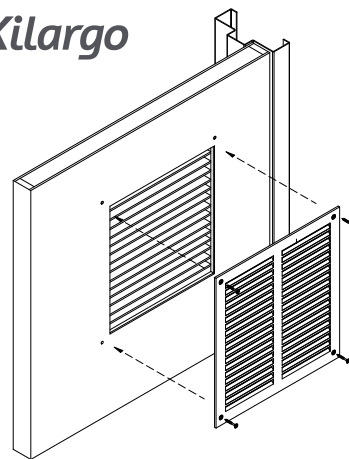
IFD-D mounted in Proprietary Fire Door

1. Check with fire door manufacturer that Kilargo IFD-D series Intumescent fire damper is approved for the door type into which it is to be installed.
2. Mark out the proposed location Note: Dampers must not be positioned within 200mm of door top / bottom, and 110mm from door edges.
3. Mark out the size and location of the damper cut-out. Note that the cut-out should be 10mm larger than the Kilargo IFD-D size supplied - for example a 450 x 450mm damper requires a cut out of 460 x 460mm.
4. Cut out the opening for the fire damper in the door leaf.
5. Slide the fire damper into the opening and centre it in the aperture by using small non combustible packers.
6. Apply Kilargo Intumescent Mastic to both sides of the grille - ensuring that the gap is filled full depth. Once cured this mastic retains the damper in position.
7. Face fix steel cover grilles over the fire damper to either side of the door leaf using the fixings provided.

NOTE: Cover grilles are supplied with decorative paint finish and are suitable for interior use only. If intended for exterior use they must be treated with appropriate weather resistant finish. (by others)

Notes

1. Product must be fitted in accordance with this detail, including the use of Kilargo Intumescent Mastic to ensure compliance with Kilargo Fire Test Approval detailed.



Building Element	E-Core Fire Doors
Application	Fitted to Maxi & Mini Fire Doors
Maximum Size	600mm x 300mm or 450mm x 450mm (up to 2 off per leaf)
FRL	-/120/30
Test Reference No.	CSIRO FCO3464

System No. FD3