

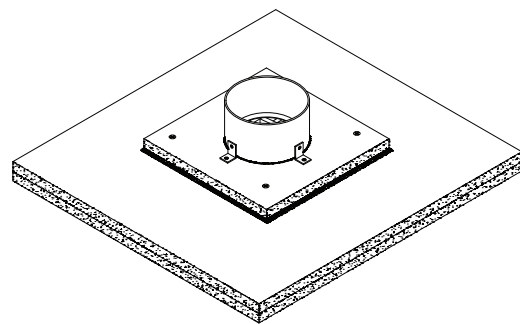
Supplied as a complete fire-rated enclosure to ensure compliance.

Installation Instructions

1. Mark out the size and location of the damper cut-out. Note: that the cut-out should be 15mm larger than the Kilargo IFD-CE3 size supplied - for example a Kilargo IFD-CE3 150 requires a cut out of 165mm diameter.
2. Prepare hole in ceiling and position damper unit ensuring that perimeter gaps between metal casing and ceiling are even.
3. Using the Kilargo IFD-CE3 as a template, mark around the panel on the face of the ceiling (from above) and apply Kilargo Intumescent Mastic between markings and the cut hole.
4. From above, carefully locate the Kilargo IFD-CE3 in position and fix laminating screws in four places as shown.
5. From above, seal the periphery of the panel with a bead of Kilargo Intumescent Mastic.
6. From the underside apply Kilargo Intumescent Mastic and fill (full depth) the gap between the damper and the ceiling.
7. Ensure product and certification labels are in a prominent position for easy identification during subsequent maintenance routines.

Notes

1. Product must be fitted in accordance with this detail, including the use of Kilargo Intumescent Mastic to ensure compliance with Kilargo Fire Test Approval detailed.
2. Fixing screws are to be supplied by others. Kilargo Intumescent Mastic supplied separately.



Building Element	FR Plasterboard 2 ply Ceiling
Application	PI/Board panel & IFD (90min RISF Incipient rated)
Maximum Size	150mm diameter
FRL	-/90/90
Test Reference No.	FP3572

System No. **CE3**