

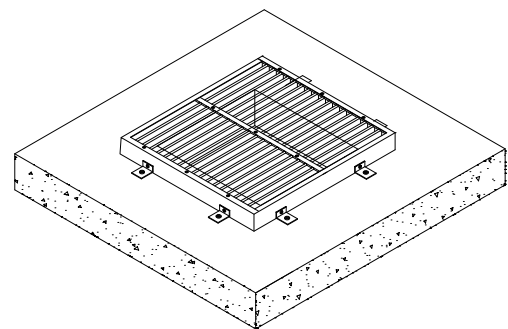
Installation Instructions

Single cell unit (no casing) surface mounted over or under a concrete floor slab

1. Position the damper as detailed in the relevant System Drawing.
2. If applicable, position & fasten mounting angles, using screws & anchors (all supplied by others) as detailed in the System Drawing.
3. Firestop any gaps between the damper & building element with Kilargo Intumescent Mastic (supplied separately). Ensure fill depth corresponds with those detailed in the System Drawing. Note: A maximum perimeter clearance of 25mm applies.
4. If connecting ductwork, ensure that an appropriate ASI682.2 compliant breakaway joint method is used.
5. Ensure convenient access is provided for visual inspection and cleaning as necessary.
6. Ensure product and certification labels are in a prominent position for easy identification during subsequent maintenance inspections.

Notes

1. Product must be fitted in accordance with this detail, including the use of Kilargo Intumescent Mastic to ensure compliance with Kilargo Fire Test Approval detailed.
2. Retaining angles, fixing screws and anchors are to be supplied by others.



Building Element	Concrete Slab
Application	No casing - surface mounted over or under penetration
Maximum Size	600mm x 600mm
FRL	-/120/-
Test Reference No.	FAS200142

System No. **FL5**