

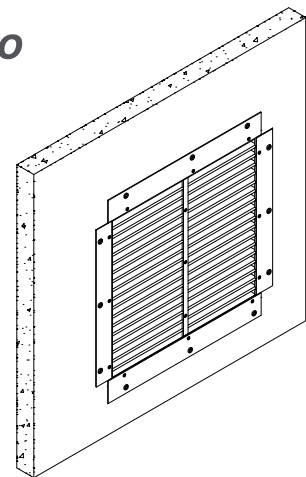
Installation Instructions

IFD44 mounted within Vermiculux panel

1. Position damper centrally in penetration aperture as per System Drawing.
2. Fasten mounting angles to one side of damper with steel self drilling screws or steel pop rivets.
3. Fix mounting angles to Vermiculux panel using coarse thread screws as shown (supplied by others).
4. Fire-stop any gaps between the damper & Vermiculux panel with Kilargo Intumescent Mastic (supplied separately). Ensure fill depth corresponds with those detailed in the System Drawing.
5. If connecting ductwork ensure that an appropriate AS1682.2 compliant breakaway joint method is used.
6. Ensure product and certification labels are in a prominent position for easy identification during subsequent maintenance inspections.
7. Ensure convenient access is provided for visual inspection and cleaning as necessary.

Notes

1. Product must be fitted in accordance with this detail, including the use of Kilargo Intumescent Mastic to ensure compliance with Kilargo Fire Test Approval detailed.
2. Fixing screws, angles and anchors are to be supplied by others.



Building Element	Vermiculux
Application	Mounted in Vermiculux aperture
Maximum Size	800mm x 800mm
FRL	-/120/-
Test Reference No.	BRANZ FAR3404

System No. **WV2**