

IFD-CE-LL Series

LOW-LOSS INTUMESCENT FIRE DAMPERS

Achieve compliance with the NEW Kilargo IFD-CE1-LL and IFD-CE4-LL Intumescent Fire Damper

Tested to both AS 1530.4-2014 Section 2 & 4 to provide both fire integrity and insulation as required by the latest version of AS1668.1.

Not only this but installers can achieve full installed compliance to AS1682.2 with ease & simplicity, thanks to the Kilargo IFD-CE1-LL & IFD-CE4-LL which features the clever Installers Label and Installation instructions available at the click of a button or swipe of the Smart Phone App.

Unique Features to IFD44-LL

- High Performance Design
- Low-Loss = Reduced Pressure & Lowered Acoustic Transmission
- Potential energy efficiency savings
- Tested to AS1530.4 2014 Section 2 & 4
- Insulation up to 120 min
- Fire Integrity up to 120 min
- RISF rating up to 120 min
- Peel off Installers Label included for AS1682.2 compliance
- AS 1682.1 2015 compliant
- Wider range of flexible & compliant installations & FRLs

Standards & Codes

Relevant standards and codes relating to fire damper performance, fire resistance, installation and maintenance include:

AS 1668.1 2015	Fire & Smoke Control in Buildings
AS 1530.4 2014 Section 10 & 11	Fire test methodology
AS 1682.1 2015	Fire Damper Specification / Design
AS 1682.2 2015	Fire Damper Installation
AS 1851:2012	Fire Protection Systems Maintenance

Suggested Specifications

Ceiling Fire dampers shall be Kilargo IFD-CE-LL series intumescent fire dampers. The installation shall be in accordance with approved Kilargo systems installation details and must comply with the requirements AS/NZS 1668.1 and the air leakage test of AS 1682.1.

Fire dampers must allow bi-directional airflow and have no moving parts.

Intumescent fire dampers shall be tested for Fire Resistance Level (FRL) requirements in accordance with AS 1530.4:2014 Section 2 & Section 4.

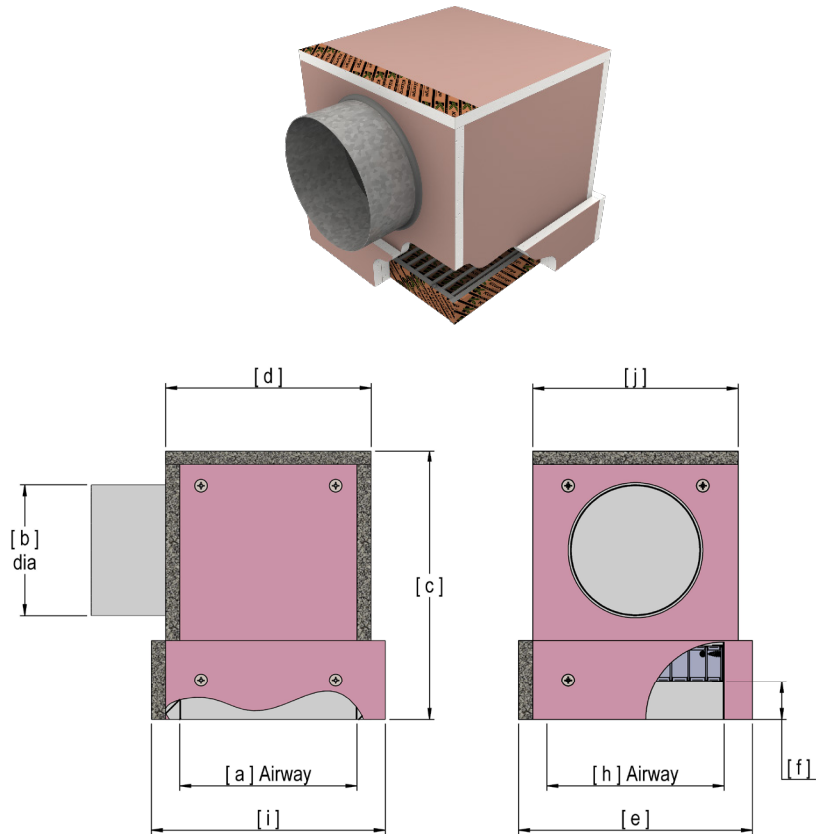
Fire Damper installation shall be strictly in accordance with the relevant requirements of AS 1682.2, and Kilargo System Installation details including the use of Kilargo Intumescent Mastic

Kilargo Pty Ltd

15 Wentworth Place
Banyo QLD 4014

T: 1300 858 010
info@kilargo.com.au
www.kilargo.com.au

IFD-CE1-LL Dimensions



Model	Dimensions						
	(a)	(b)	(c)	(d)	(e)	(f)	(g)
IFD-CE1-LL	150 150	150	147	301	182	214	43
IFD-CE1-LL	200 150	200	147	301	232	264	43
IFD-CE1-LL	200 200	200	197	351	232	264	43
IFD-CE1-LL	250 250	250	247	401	282	314	43
IFD-CE1-LL	300 300	300	297	451	332	364	43
IFD-CE1-LL	350 350	350	347	501	382	414	43
IFD-CE1-LL	400 400	400	397	551	432	464	43
IFD-CE1-LL	450 400	450	397	551	482	514	43
IFD-CE1-LL	500 400	500	397	551	532	564	43
IFD-CE1-LL	550 400	550	397	551	582	614	43
IFD-CE1-LL	600 400	600	397	551	632	664	43

How to Order

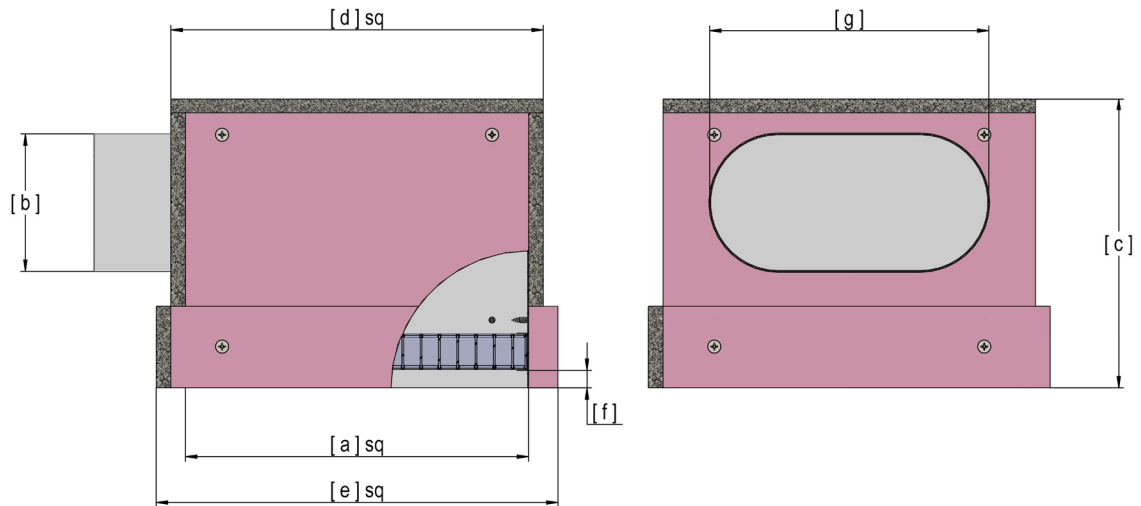
IFD-CE1-LL:

IFD-CE1-LL Width x Height + spigot Dia (mm)
 e.g. IFD-CE1-LL 600 x 600 + 400



For more product information please scan QR code or visit:
www.kilargo.com.au/ourproducts/ifd-LL

IFD-CE1-Lo-LL Dimensions



Model		Dimensions							
	Equivalent Spigot Dia	(a)	(b)	(c)	(d)	(e)	(f)	(g)	
IFD-CE1-Lo-LL	200 150	150	200	100	267	232	264	43	178.5
IFD-CE1-Lo-LL	250 150	150	250	100	267	282	314	43	178.5
IFD-CE1-Lo-LL	300 200	200	300	100	267	332	364	43	257
IFD-CE1-Lo-LL	350 250	250	350	100	267	382	414	43	335.5
IFD-CE1-Lo-LL	400 250	250	400	100	267	432	464	43	335.5
IFD-CE1-Lo-LL	450 300	300	450	100	267	482	514	43	414
IFD-CE1-Lo-LL	500 350	350	500	100	267	532	564	43	492.5
IFD-CE1-Lo-LL	550 350	350	550	100	267	582	614	43	492.5
IFD-CE1-Lo-LL	600 400	400	600	100	267	632	664	43	571

How to Order

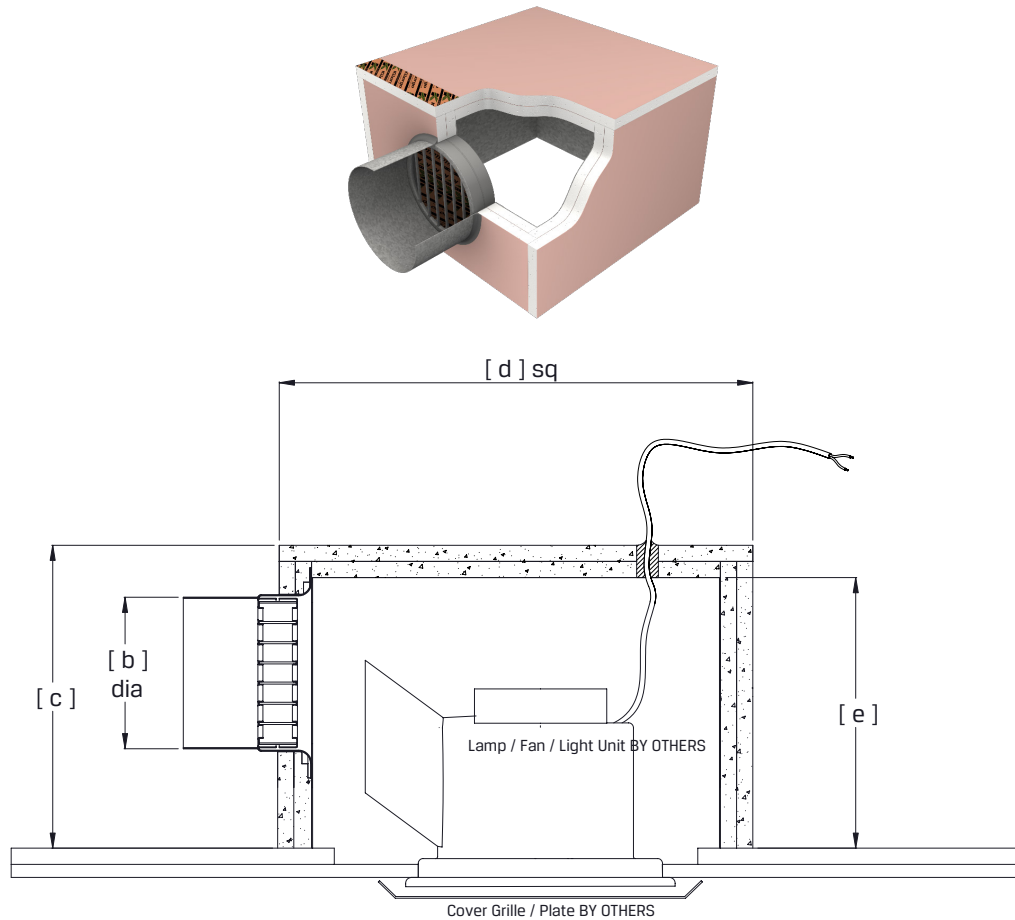
IFD-CE1-Lo-LL:

IFD-CE1-Lo-LL Width x Height + spigot Dia (mm)
 e.g. IFD-CE1-Lo-LL 600 x 600 + 400



For more product information please scan QR code or visit:
www.kilargo.com.au/ourproducts/ifd-LL

IFD-CE4-LL Dimensions



Model	Dimensions				
	(a)	(b)	(c)	(d)	(e)
IFD-CE4-LL-200	205	150	300	270	268
IFD-CE4-LL-250	255	150	300	320	268
IFD-CE4-LL-300	305	150	300	370	268
IFD-CE4-LL-400	405	150	300	470	268

How to Order

IFD-CE4-LL:
 IFD-CE4-LL _____Model Size
 e.g. IFD-CE4-LL-400



For more product information please scan QR code or visit:
www.kilargo.com.au/ourproducts/ifd-LL