

FDBU20



Used to upgrade existing fire doors where door bottom gaps exceed the allowable 10mm as per AS1905/1.

Key Features

- Can provide up to 2 hours fire resistance when fitted to the bottom of proprietary fire doors.
- Non compliant fire doors can be salvaged.
- Avoids expensive door build-ups or door replacements.
- Cost-effective solution.
- Easy retro-fit installation.
- No need to remove the door during installation.

Use With

Although not required for upgrade work, the Kilargo 4000 Series Threshold Plates may be incorporated as part of the overall system for both aesthetic and disability compliance issues.

Materials

These products consist of an anodised aluminium profile, flame retardant smoke, draught and light excluding silicone gasket and integral high performance intumescent fire seals.

Gap Size

To seal gap sizes up to 20mm maximum, under nom. 35mm and 45mm proprietary doors.

Standard lengths

820mm, 920mm, 1220mm

Standard colours

Clear Anodised (Silver) with grey gaskets

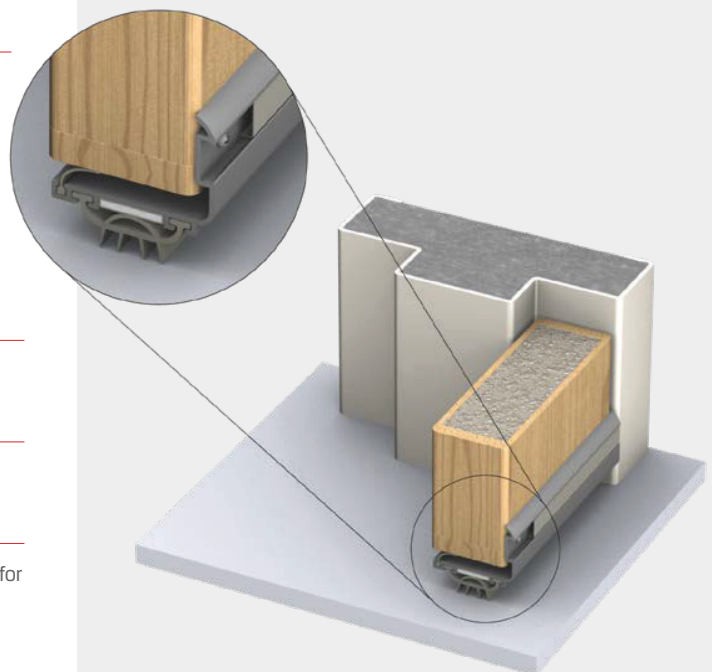
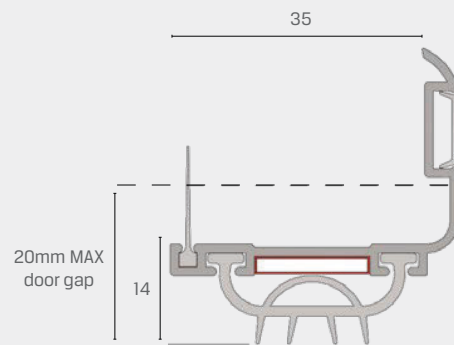
Fixing

The FDBU20 is supplied with pre-drilled slotted holes and screws for easy application onto the bottom of door leaves.

Approval/s

- Fully tested to AS1530 Part 4 for up to 2 hours on proprietary fire door assemblies in accordance with AS1905 Part 1
- Conforms with BCA Specification C3.4 smoke sealing requirements

NB: Check with your door manufacturer for approvals.



Kilargo FDBU20 | Last edit 09/09/2019

15 Wentworth Pl, Banyo QLD 4014, Australia
P +61 7 3635 5000 F +61 7 3861 9266 E sales@kilargo.com.au W kilargo.com.au