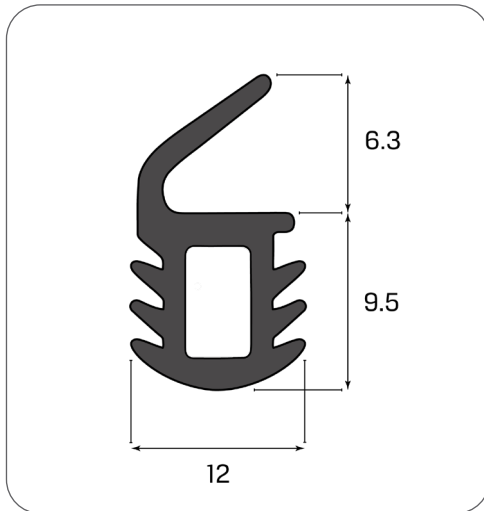


Fitting Instructions: Q-Seal perimeter seal



Installation detail: Q-Seal perimeter seal

- | | |
|---------------|--|
| Step 1 | Ensure all surfaces are clean & free from debris. |
| Step 2 | Measure one side of the door frame to determine the length, repeat for the other side and head of the frame. |
| Step 3 | Un-reel the desired length of seal, as per measurements in Step 2 . Cut to length. |
| Step 4 | Starting at the head of the frame, insert the Q-Seal into the rebate working progressively towards the bottom. Ensure the product is pushed firmly in place.
Do not stretch during installation. Cut off excess. |

Description of contents

- 1 x 50m reel of QF-1209 (Q-Seal)
- Fitting instructions

Tools required for installation

- Tape measure
- Knife
- Pencil or marker

Important

Ensure that the installation of this product does not impede the opening or closing of the door. It is recommended to check the adjustment of the door seal periodically to ensure the door assembly to which it is fitted, closes and latches properly.

Note

Recommendations as to methods for use of materials and construction details are based on the experience and knowledge of Kilargo and are given in good faith as a general guide and service to designers, contractors and manufacturers.

Kilargo reserves the right to make alterations or delete any installation detail without prior notice.

